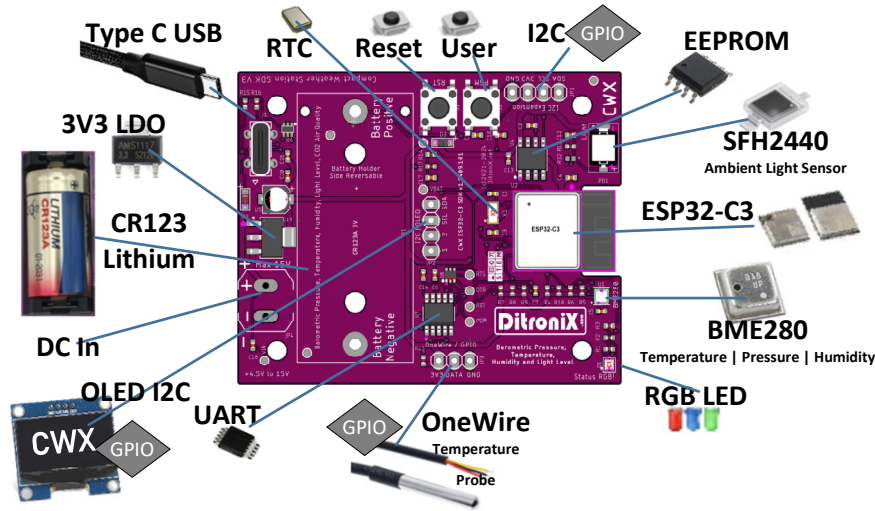


CWX^{v3} New

Espressif ESP32-C3
Open-source RISC-V architecture

- Options
- CWX-3-ESP32C3-1-SDK
ESP32-C3-MINI-1-N4 PCB Antenna
 - CWX-3-ESP32C3-1U-SDK
ESP32-C3-MINI-1U-N4 External Antenna via U.FL
 - MQTT (IoT)
 - HomeAssistant
 - Domoticz
 - Tasmota

CWX SDK is a Compact Weather Station for IoT Home Automation



CWX SDK Board Integrates and Includes

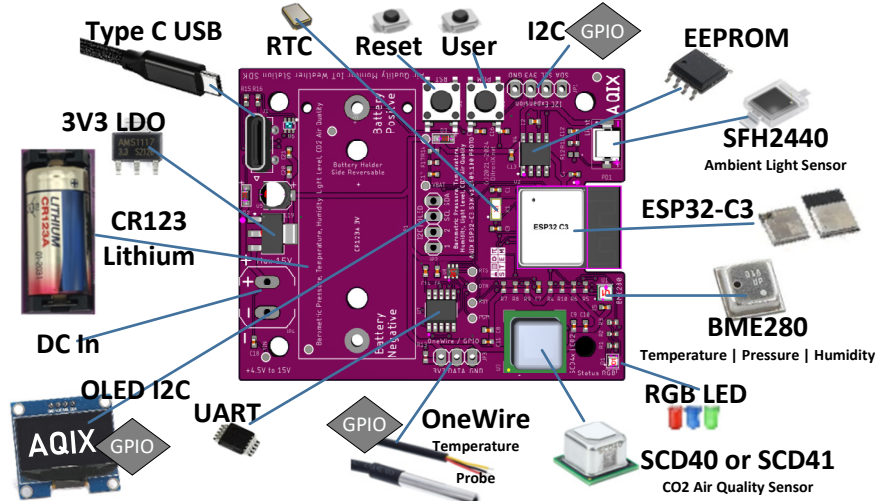
- ESP32-C3-MINI - Wi-Fi 802.11b/g/n and Bluetooth 5 (BLE)
- BME280 – Temperature, Barometric Pressure and Humidity Sensor
- SFH2440 – Ambient Light Level Sensor Monitor
- Dual Powered – Battery CR123 Or External DC Powered
- AMS1117 3V3 Regulator LDO 4.5V to 15V PSU
- OLED Display I2C Interface
- OneWire GPIO Interface – External Temperature Probes
- EEPROM (64Kbit) for On-board Data Logging and User Parameters
- UART Integrated Type C ‘ESP32-C3 DEV’ Interface
- RTC - On-Board 32.768 kHz XTAL for Real Time Clock
- Battery Voltage Level Monitor
- RGB Status User Programmable LED
- Tactile Buttons Reset and PGM / User

All Our SDK Boards are SMT Populated and Fully Tested - Compact PCB Only 63mm x 51mm – Ideal for the Home or Office - Available October 2024

AQIX New

AQIX SDK is a CO2 Air Quality and Weather Station for IoT Home Automation

- Options
- CWX-3-ESP32C3-1-SDK
ESP32-C3-MINI-1-N4 PCB Antenna
 - CWX-3-ESP32C3-1U-SDK
ESP32-C3-MINI-1U-N4 External Antenna via U.FL
 - MQTT (IoT)
 - HomeAssistant
 - Domoticz
 - Tasmota



AQIX SDK Board Integrates and Includes

- ESP32-C3-MINI - Wi-Fi 802.11b/g/n and Bluetooth 5 (BLE)
- SCD40 or SCD41 – CO2 Air Quality Sensor
- BME280 – Temperature, Barometric Pressure and Humidity Sensor
- SFH2440 – Ambient Light Level Sensor Monitor
- Dual Powered – Battery CR123 Or External DC Powered
- AMS1117 3V3 Regulator LDO 4.5V to 15V PSU
- OLED Display I2C Configurable Interface
- OneWire GPIO Interface – External Temperature Probes
- EEPROM (64Kbit) for On-board Data Logging and User Parameters
- UART Integrated Type C ‘ESP32-C3 DEV’ Interface
- RTC - On-Board 32.768 kHz XTAL for Real Time Clock
- Battery Voltage Level Monitor
- RGB Status User Programmable LED
- Tactile Buttons Reset and PGM / User

Weather Sensor

Both CWX3 and AQIX feature the popular **Bosch BME280 Humidity** sensor measuring relative humidity, barometric *pressure* and ambient *temperature*.

The sensor provides high linearity and high accuracy reading which can be easily measured and sent to home automation

Air Quality CO2 Sensor

The AQIX, based on the CWX3, features the additional **Sensirion SCD40 or SCD41** miniature *CO2 Air Quality* sensor.

The *standard* SCD40 offers 400 to 2000 ppm
The *optional* SCD41 offers 400 to 5000 ppm
Photoacoustic NDIR sensing principle.

Ambient Light Sensor

Monitoring the ambient light levels indoor, or sunlight, is straight forward with the on-board **OSRAM SFH2440** sensor.

This Silicon Photo Diode offers high linearity, Fast switching time, Low temperature coefficient and spectral sensitivity adapted to human eye sensitivity.

Air Quality CO2 and Weather Monitors Boards SDK Overview

DitroniX.net
GitHub.com/DitroniX
hackster.io/DitroniX
IoT Smart Home Energy Automation

(c)2024 DitroniX | Dave Williams